



Owen Sound

STANDARD POLICY

S.P. NO: O37

PAGE NO 1 OF 1

DATE: 05/13/92

**SUBJECT: CONCRETE CURB-FACE SIDEWALK
DRIVEWAY ENTRANCE DETAILS**

**DEPARTMENT:
Operations
DIVISION:
Engineering**

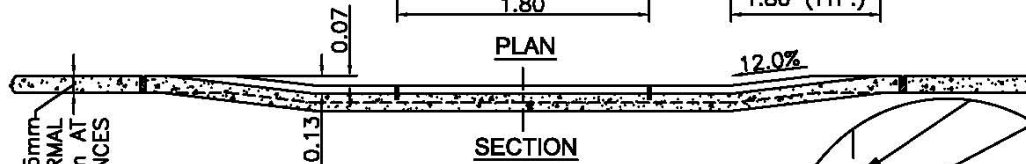
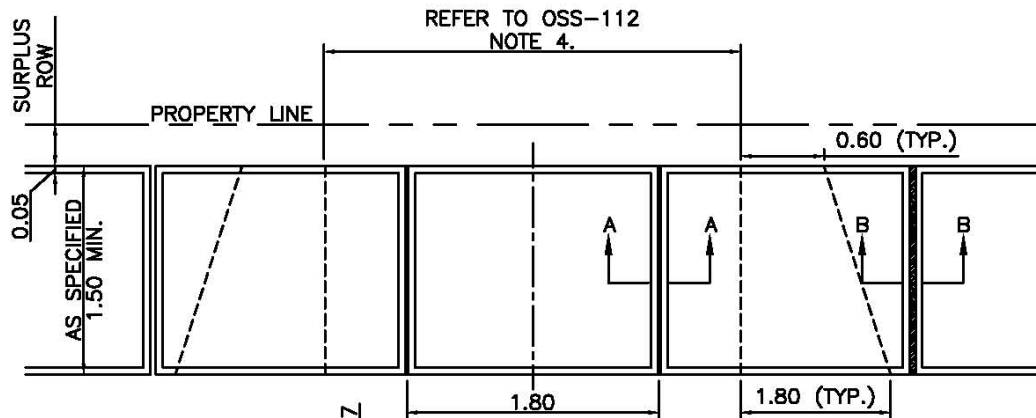
COUNCIL AUTHORITY OR STAFF APPROVED:

Council Resolution April 21, 1992

NEW:X

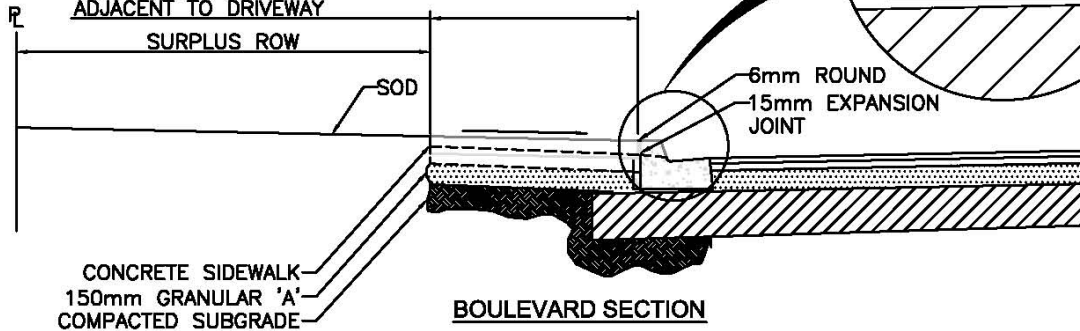
**REVISED:
DATE:**

Curb-face sidewalks at entrances shall be re-constructed using the City standard, with a drop driveway at the back of twenty-five (25) mm with an increase end taper length to 1.5 - 2 metres (see attached standard drawing).



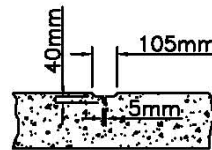
ADDITIONAL WIDTH WHERE SIDEWALK IS ADJACENT TO CURB. AS PER OPSD 600.040 (OPSD 600.080 SHALL BE USED AT THE MANAGER OF ENGINEERING SERVICES' DISCRETION)

2% SLOPE.
4% SLOPE WHEN
ADJACENT TO DRIVEWAY

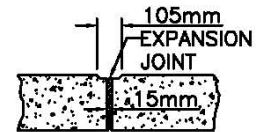


NOTES:

1. ALL SIDEWALKS SHALL BE A MINIMUM OF 1.5m IN WIDTH CONSTRUCTED OF CONCRETE WITH A MINIMUM THICKNESS OF 125mm (150mm MINIMUM THICKNESS AT RESIDENTIAL ENTRANCES AND 200mm MINIMUM THICKNESS AT COMMERCIAL AND INDUSTRIAL ENTRANCES).
2. ALL SIDEWALKS ARE TO HAVE A 150mm GRANULAR 'A' BASE COMPACTED TO 98% STANDARD PROCTOR DENSITY. THE SUBGRADE SHALL BE UNDISTURBED NATIVE SOIL OR ENGINEERED FILL.
3. SIDEWALK CONCRETE SHALL BE 32 MPa COMPRESSIVE STRENGTH WITH 6.5% AIR ENTRAINMENT AND 75mm SLUMP
4. EXPANSION JOINTS ARE REQUIRED AT ALL LOCATIONS WHERE THE SIDEWALK ABUTS OTHER CONCRETE STRUCTURES, WALKS, CURBS, HYDRANTS, MANHOLES, UTILITY POLES AND AT ANY OTHER LOCATION AS DIRECTED BY THE CITY'S MANAGER OF ENGINEERING SERVICES.
5. CURB & GUTTER AS PER O.P.S.D. 600.040



SECTION A-A
CONTRACTION JOINT
DETAIL



SECTION B-B
EXPANSION JOINT
DETAIL



OPERATIONS DEPARTMENT
ENGINEERING SERVICES DIVISION
OWEN SOUND ONTARIO

Title
**CURB-FACED
CONCRETE SIDEWALK
DEPRESSED ENTRANCE**

| | | | |
|-----------|---------------|------|----|
| No. | DESCRIPTION | DATE | BY |
| REVISIONS | | | |
| DSN: COS | METRIC | | |
| CHK: | SCALE: N.T.S. | | |
| DRN: COS | DATE: 03/2014 | | |

FILE No.: -/-
Drawing No. **A OSS-114CF**