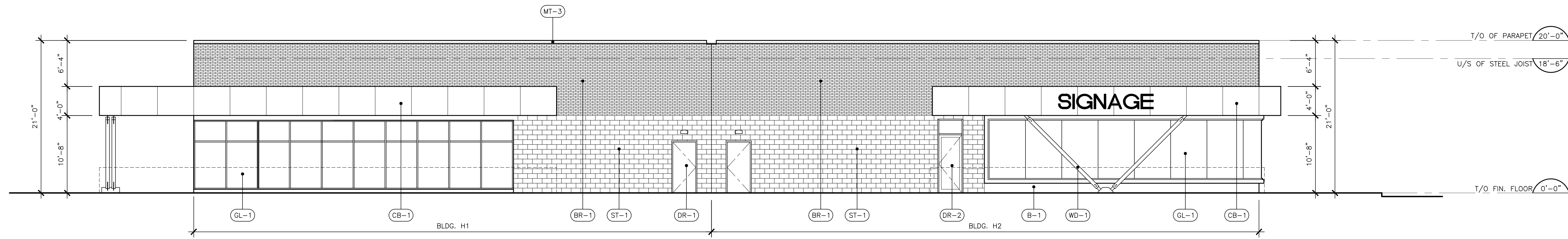
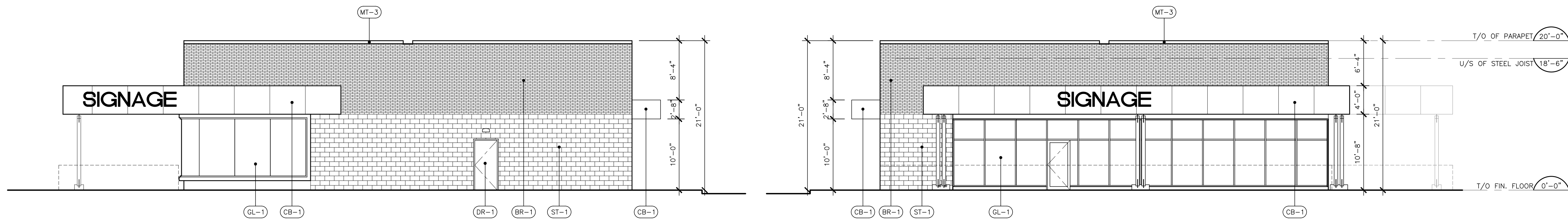




LEGEND	DESCRIPTION
(B-1)	BASE - EXPOSED CONCRETE, LIGHT SANDBLAST FINISH
(BR-1)	90 FACE BRICK VENEER BASE COLOUR: BRAMPTON BRICK ARCHITECTURAL SERIES COLOUR: TBD
(DR-1)	INSULATED HOLLOW METAL DOOR & FRAMES -COLOR TBD
(DR-2)	INSULATED GLAZING UNITS IN ALUMINUM FRAME DOORS -COLOR TBD
(GL-1)	INSULATED GLAZING C/W ANODIZED ALUMINUM FRAMES -COLOR TBD
(GL-2)	PREFINISHED INSULATED ALUMINUM PANEL ON ALUMINUM FRAMES -COLOR TBD
(MT-1)	METAL CLADDING VICWEST COLOUR: TBD
(MT-2)	PREFINISHED METAL PANEL, COLOUR: TBD
(MT-3)	PREFINISHED METAL CAP FLASHING, AGWAY METALS COLOUR: TBD
(ST-1)	12H X 24 WD X 4 THK SMOOTH FACE STONE VENEER, ARRISCRAFT RENAISSANCE COLOUR: TBD
(WD-1)	8X8 P.T. TIMBER

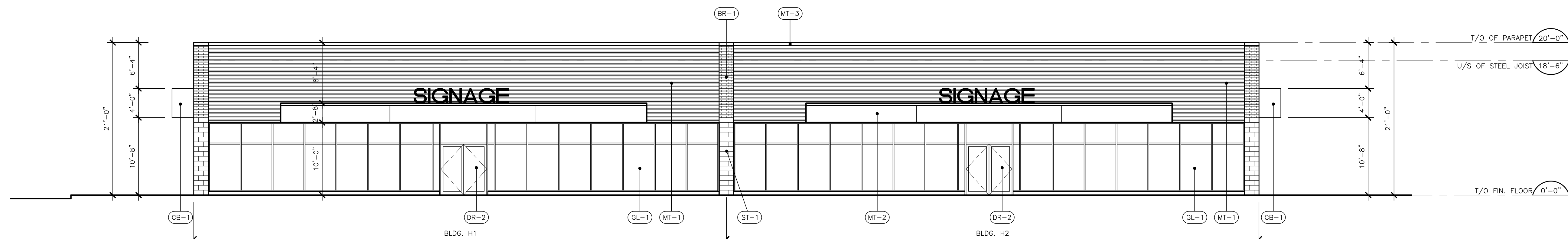


1 PROPOSED WEST ELEVATION AT BUILDING 'H'
SCALE: 1/8"=1'-0"



2 PROPOSED SOUTH ELEVATION AT BUILDING 'H2'
SCALE: 1/8"=1'-0"

3 PROPOSED NORTH ELEVATION AT BUILDING 'H2'
SCALE: 1/8"=1'-0"



4 PROPOSED EAST ELEVATION AT BUILDING 'H'
SCALE: 1/8"=1'-0"

1	ISSUED FOR SITE PLAN APPROVAL	23 APR 2019
NO:	REVISIONS:	ISSUED:

NOTE: This drawing is the property of the Architect and may not be reproduced or used without the expressed consent of the Architect. The contractor is to verify all dimensions and conditions on the project and to report any discrepancies to the Architect prior to commencing work. These drawings are not to be used for construction purposes unless indicated as 'issued for construction'.

CLIENT:
HERITAGE GROVE SQUARE INC.

2125 16TH ST. E.
OWEN SOUND, ON

PROJECT:
HERITAGE GROVE SQUARE BUILDING 'H'

SHEET TITLE:
PROPOSED ELEVATIONS

PROJECT NO. 7022	
SCALE: AS NOTED	DATE: MAR 2019
DRAWN: WC	SHEET NO:
CHECKED: GP	SK1
FILE NO. 3027	